

BroCO PRODUCTS INC.

18624 SYRACUSE AVENUE
CLEVELAND, OHIO 44110
(216) 531-0880 1-800-321-0837
FAX (216) 531-8539
www.brocoproducts.com

REQUEST FOR QUOTATION

Customer: _____ Location: _____

Contact Name: _____ Position: _____

Contact Email: _____ Phone #: _____

Quantity of Racking: _____ PLATING ANODIZING PAINTING

Types of Finishing: _____ Anodize – Sulfuric Anodize – Chromic

Coated Not Coated Contacts Bared Customer to Bare

Process Temp: _____

Gravity Hook Contacts Pressure Contacts Type of Work Holder Material: _____

Phosphor Bronze Stainless Steel Aluminum Titanium Steel

Advise where rack marks are permissible: _____

PROVIDE TWO (2), SAMPLE PARTS FOR NEW RACK DESIGN, IF POSSIBLE:

If part is cup-shaped or hollow, advise whether rack: Inside or Outside

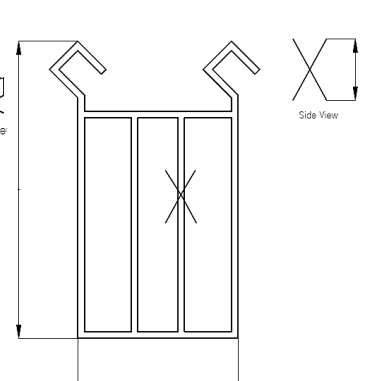
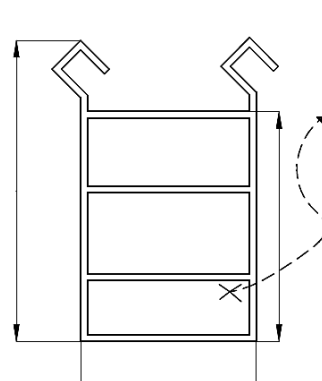
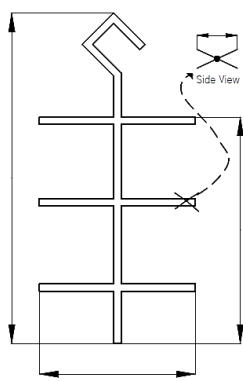
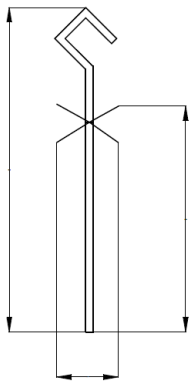
Also, if part is plated: INSIDE ONLY OUTSIDE ONLY INSIDE and OUTSIDE

Single Spine

SINGLE SPINE with
CROSSMEMBERS

FRAME

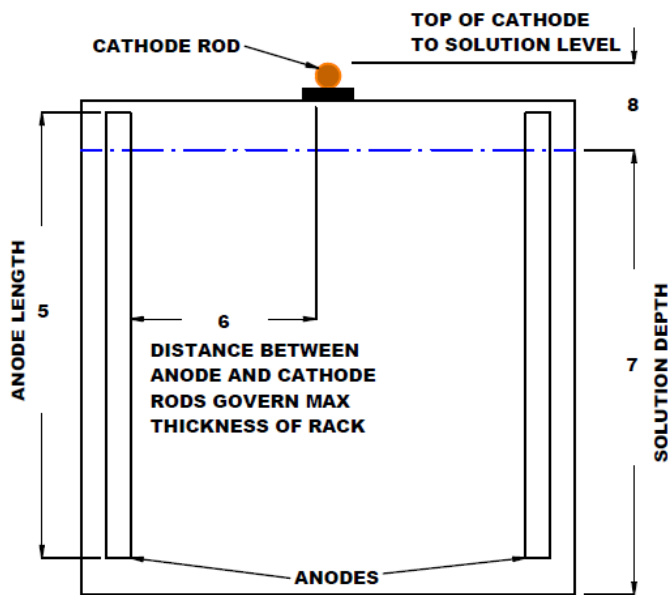
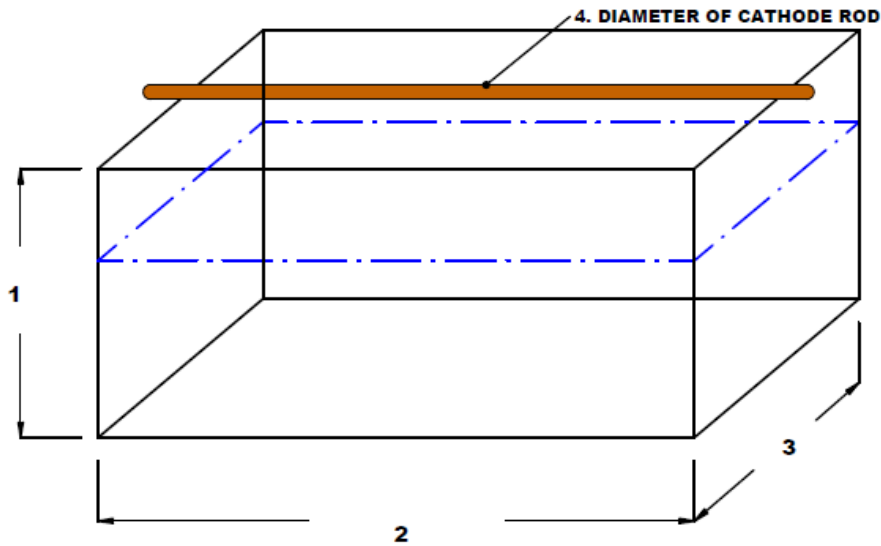
FRAME



BroCo Products designs and engineers equipment for the surface finishing industry including: tanks, pumps, filters, rectifiers, chillers, heaters, process controls, and more! Call your local representative for more information.

Br6CO PRODUCTS INC.

18624 SYRACUSE AVENUE
 CLEVELAND, OHIO 44110
 (216) 531-0880 1-800-321-0837
 FAX (216) 531-8539



1. Height of Tank	
2. Length of Tank	
3. Width of Tank	
4. Cathode rod diameter	
5. Anode length	
6. Distance from cathode to anodes	
7. Solution depth	
8. Top of Cathode to Solution Level	